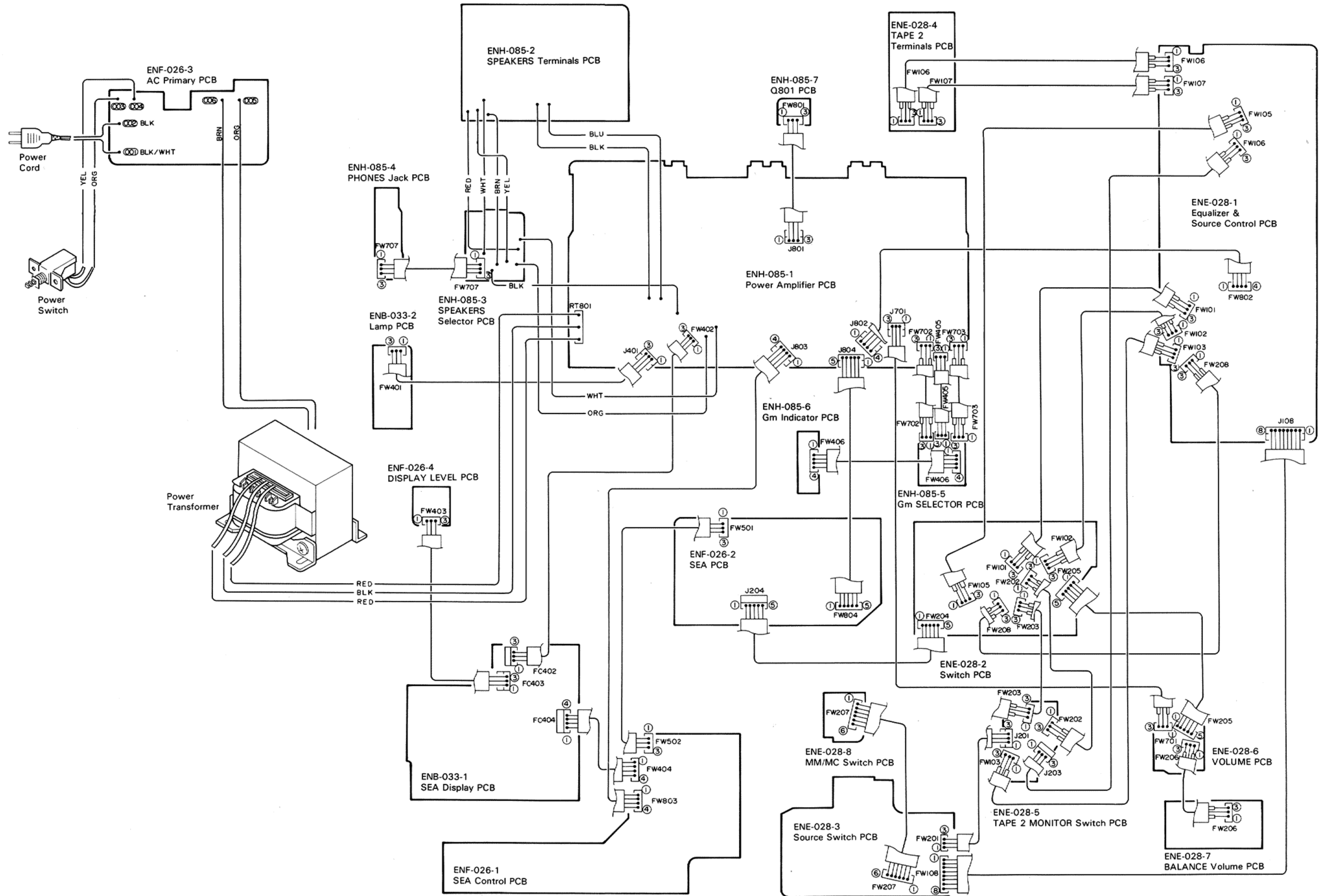
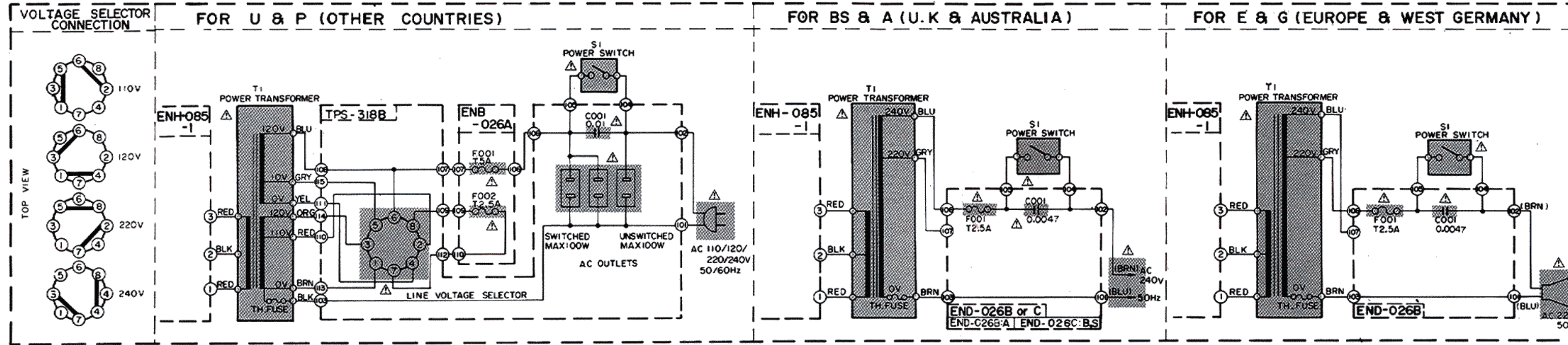


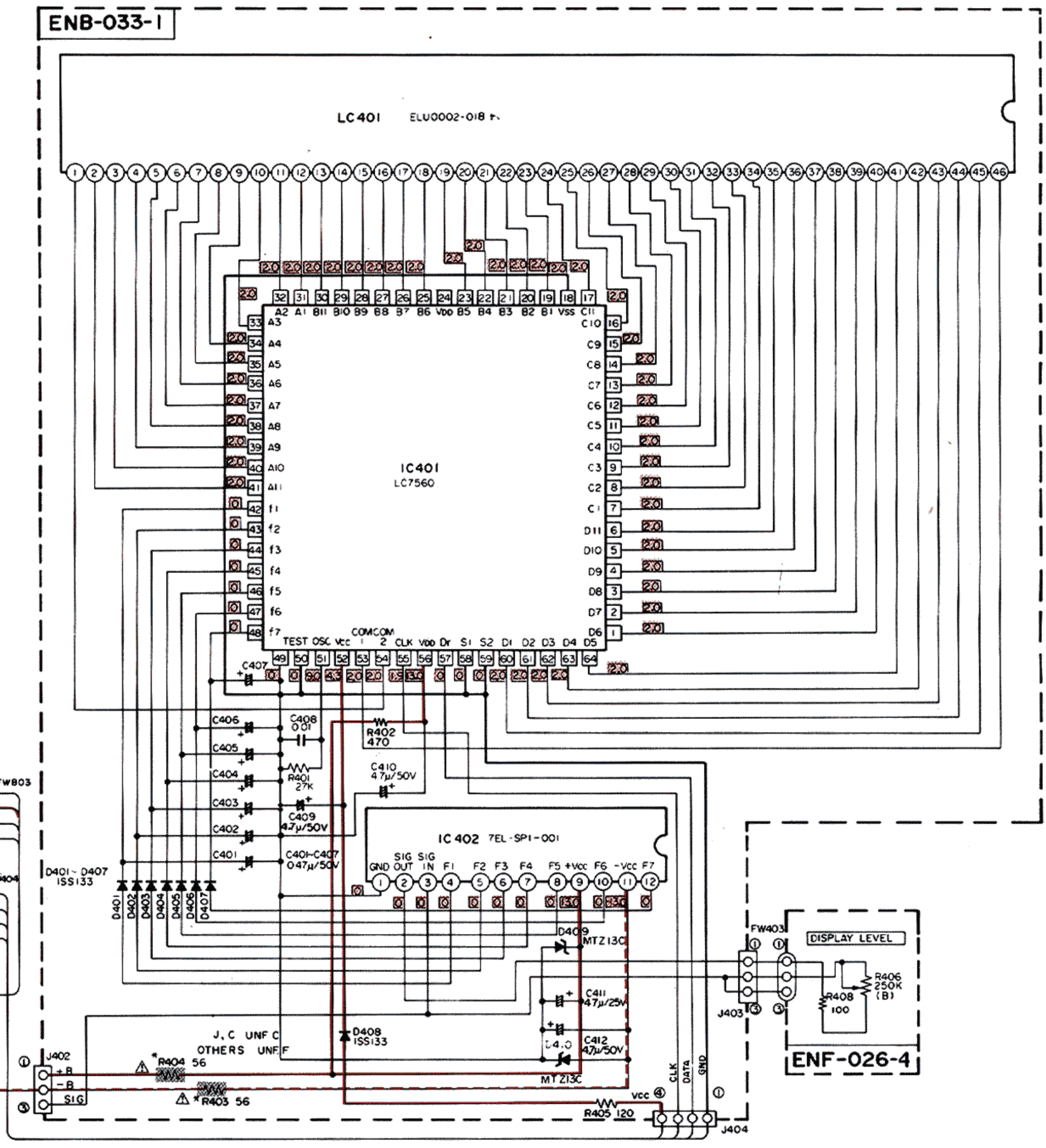
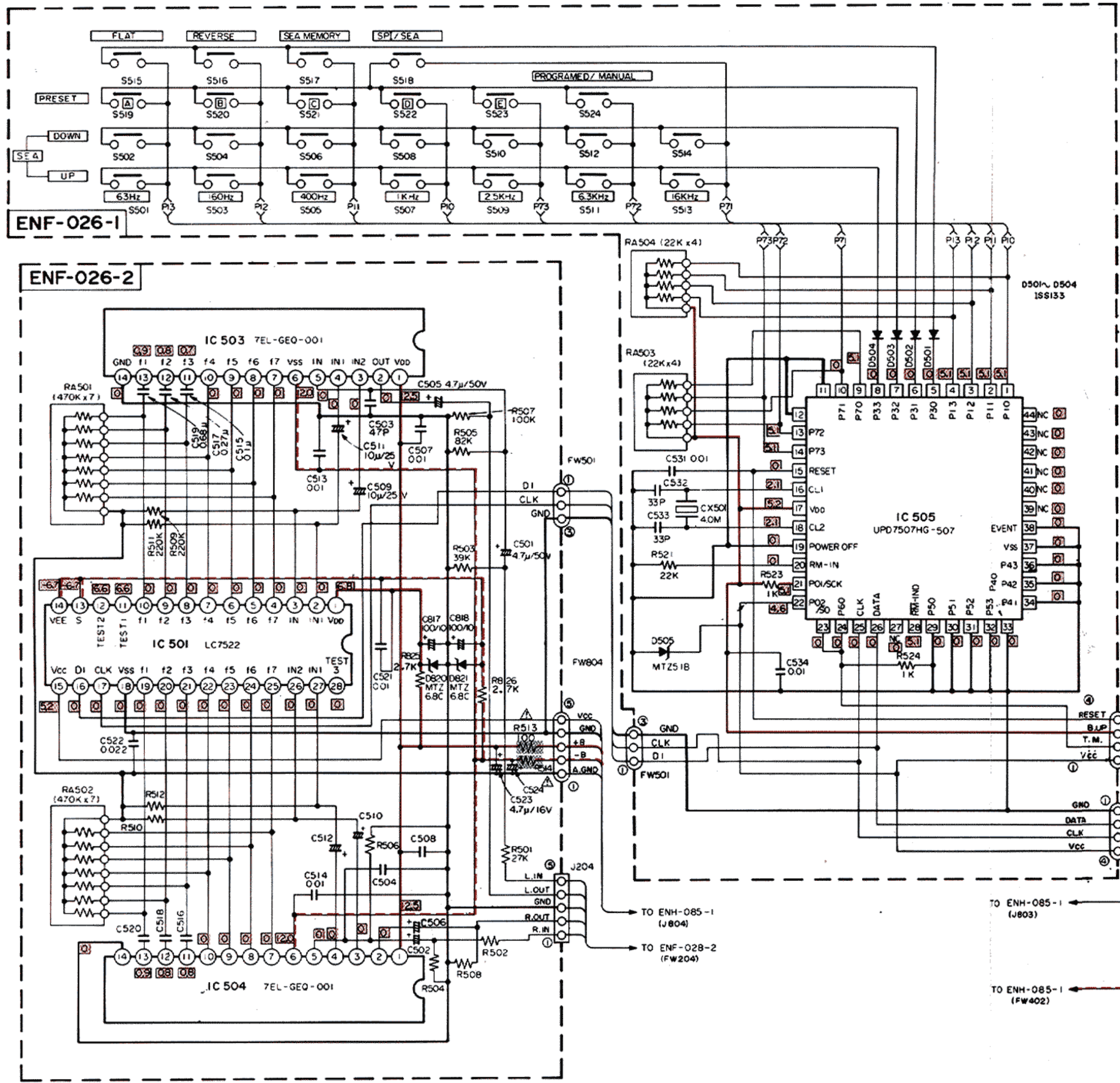
Connection Diagram



Schematic Diagram ■ SEA & Display Section

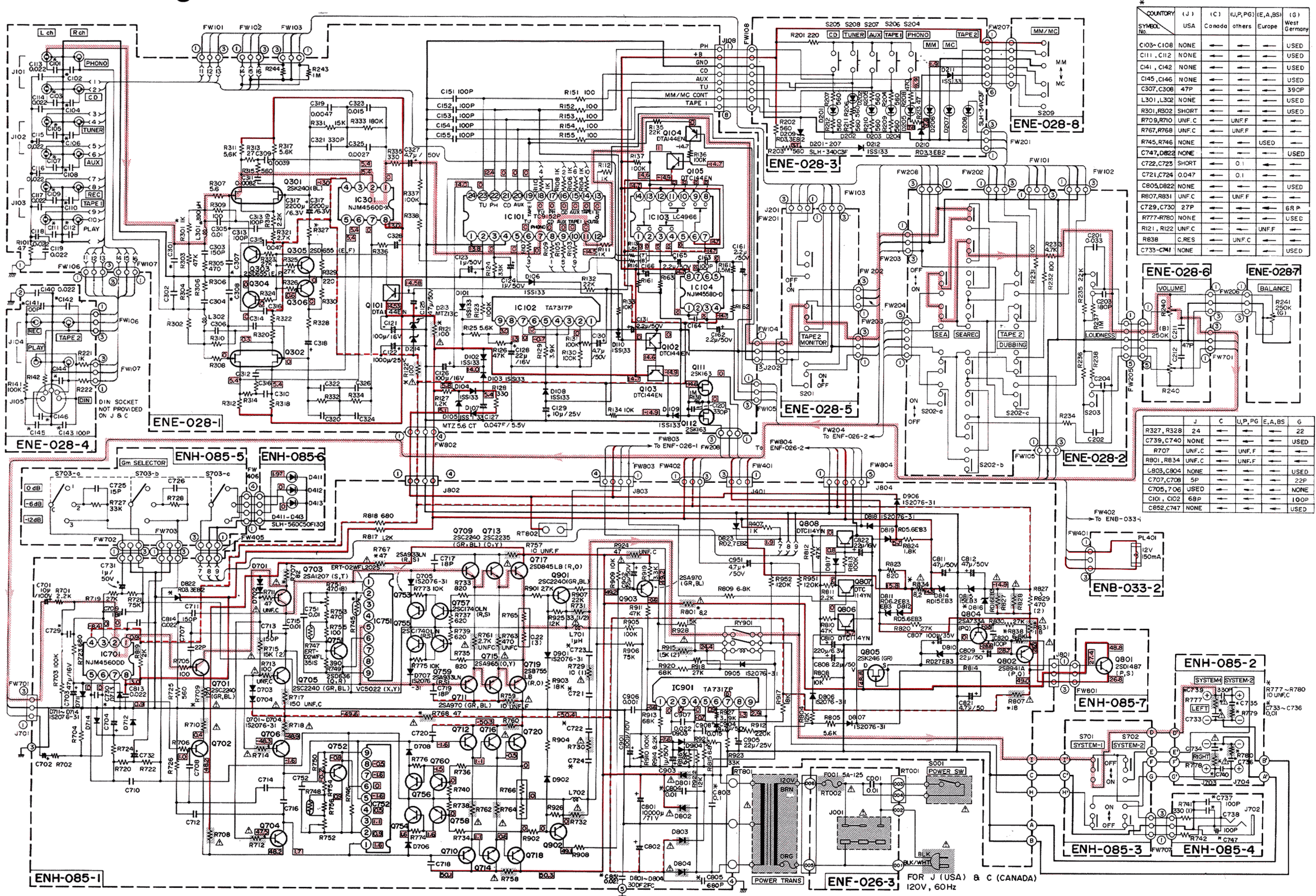


- Notes:**
1. shows DC voltage to the chassis with no signal input.
 2. indicates positive B power supply.
 3. indicates negative B power supply.
 4. indicates signal path.
 5. When replacing the parts in the darkened are () and those marked with , be sure to use the designated parts to ensure safety.
 6. This is the standard circuit diagram.
The design and contents are subject to change without notice.

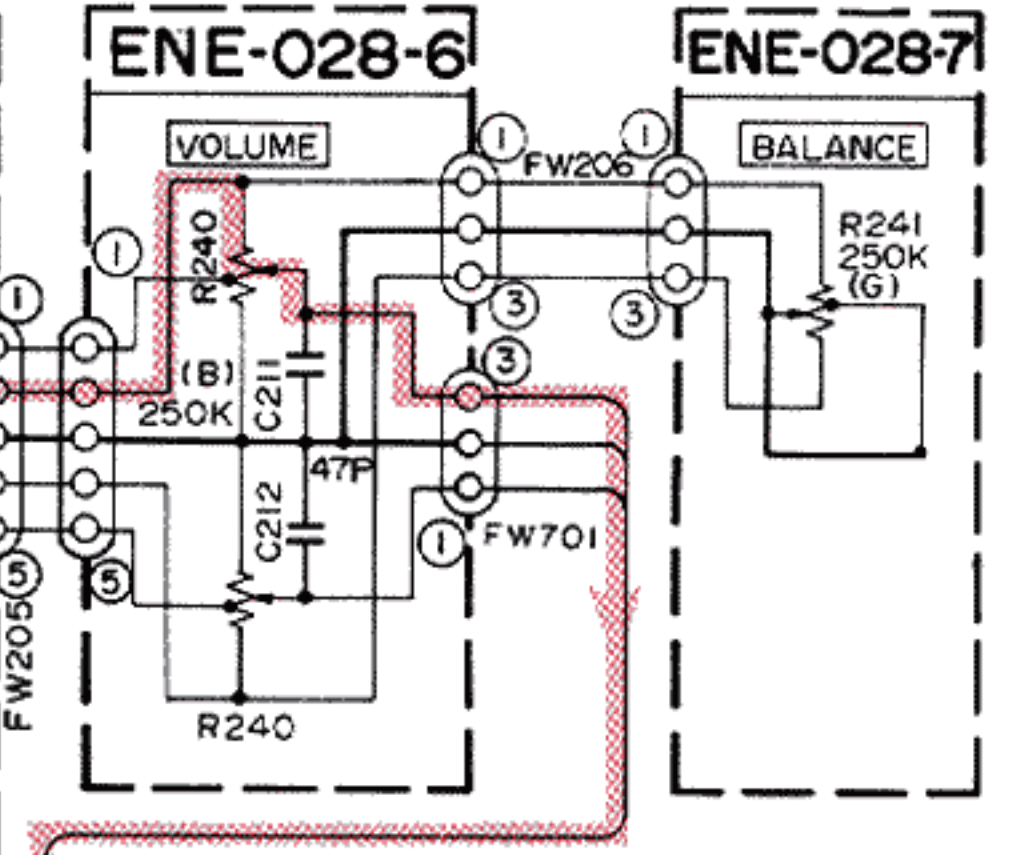


Schematic Diagram

■ Main Section



* COUNTRY	(J)	(C)	(U,P,PG)	(E,A,BS)	(G)
SYMBOL	USA	Canada	others	Europe	West Germany
C103-C108	NONE	←	←	←	USED
C111, C112	NONE	←	←	←	USED
C141, C142	NONE	←	←	←	USED
C145, C146	NONE	←	←	←	USED
C307, C308	47P	←	←	←	390P
L301, L302	NONE	←	←	←	USED
R301, R302	SHORT	←	←	←	USED
R709, R710	UNF. C	←	←	←	UNF. F
R767, R768	UNF. C	←	←	←	UNF. F
R745, R746	NONE	←	←	←	USED
C747, D822	NONE	←	←	←	USED
C722, C723	SHORT	←	←	←	O.1
C721, C724	O.047	←	←	←	O.1
C805, D822	NONE	←	←	←	USED
R807, R831	UNF. C	←	←	←	UNF. F
C729, C730	27P	←	←	←	6R P
R777-R780	NONE	←	←	←	USED
R121, R122	UNF. C	←	←	←	UNF. F
R838	C.RES	←	←	←	UNF. C
C733-C741	NONE	←	←	←	USED



R327, R328	J	C	U,P,PG	E,A,BS	G
R327, R328	24	←	←	←	22
C739, C740	NONE	←	←	←	USED
R707	UNF. C	←	←	←	UNF. F
R801, R834	UNF. C	←	←	←	UNF. F
L803, C804	NONE	←	←	←	USED
C707, C708	5P	←	←	←	22P
C705, 706	USED	←	←	←	NONE
C101, C102	68P	←	←	←	100P
C852, C747	NONE	←	←	←	USED

FOR J (USA) & C (CANADA)
120V, 60Hz